

Multi-tube Holder

Series *TM*

Easy arrangement of tubing

Easy loading and firm holding of tube

Possible to separate options depending on number of connecting tubes

Use of flame resistance resin (V-0)



Applicable Tubing

Tube material	Nylon, Soft nylon, Polyurethane
Tube O.D.	ø4, ø6, ø8, ø10, ø12

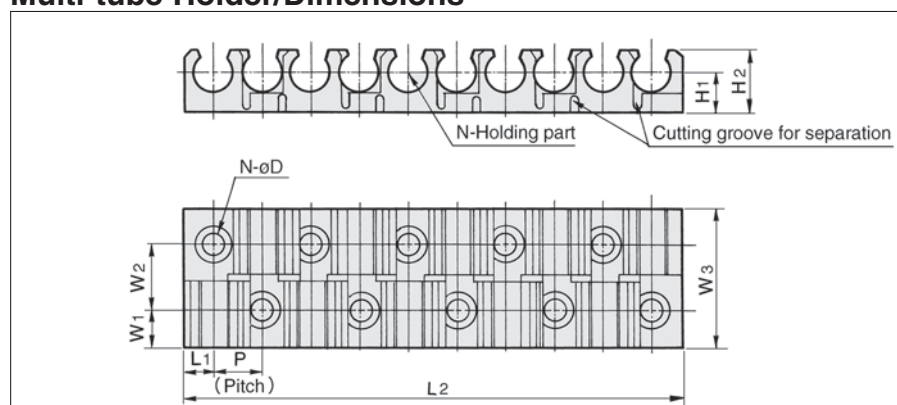
Specifications

Ambient temperature	-20 to 60°C														
Material	Flame resistance polypropylene (UL-94 standard, V-0)														
Colour	Black														
Accessories	For mounting Cross recessed head counter-sunk tapping screw (Black zinc chromate treatment)														
	<table border="1"> <tr> <th>Part No.</th> <th>Size (Nominal X Length)</th> <th>No. of tubings</th> </tr> <tr> <td>TM-04</td> <td>2 X 6</td> <td rowspan="4">4</td> </tr> <tr> <td>TM-06</td> <td rowspan="2">2.6 X 8</td> </tr> <tr> <td>TM-08</td> </tr> <tr> <td>TM-10</td> <td>3 X 8</td> </tr> <tr> <td>TM-12</td> <td>3 X 8</td> <td></td> </tr> </table>	Part No.	Size (Nominal X Length)	No. of tubings	TM-04	2 X 6	4	TM-06	2.6 X 8	TM-08	TM-10	3 X 8	TM-12	3 X 8	
	Part No.	Size (Nominal X Length)	No. of tubings												
	TM-04	2 X 6	4												
	TM-06	2.6 X 8													
TM-08															
TM-10	3 X 8														
TM-12	3 X 8														

Model

Tube O.D. (mm)	Part No.	No. of connecting tubes (MAX.)		
		6	8	12
4	TM-04			●
6	TM-06			●
8	TM-08		●	
10	TM-10	●		
12	TM-12	●		

Multi-tube Holder/Dimensions

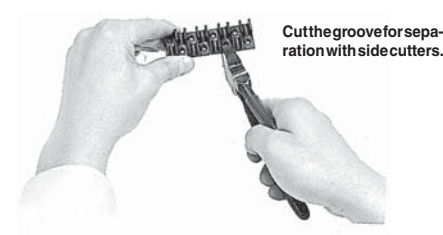


Tube O.D. (mm)	Model	N (No. of holding parts)	P	L1	L2	W1	W2	W3	H1	H2	øD	Mounting screw (Nominal X Length)
4	TM-04	12	6	3.25	72.5	4.5	8	17	5	7.5	2.2	2 X 6
6	TM-06	12	7.5	4.5	91.5	5.5	10	21	6.5	10	2.8	2.6 X 8
8	TM-08	8	9.5	5.5	77.5	6	11	23	7.5	12	2.8	2.6 X 8
10	TM-10	6	12.5	7.5	77.5	6.5	12	25	8.8	14.3	3.2	3 X 8
12	TM-12	6	15	9	93	6.5	12	25	9.8	16.3	3.2	3 X 8

How to Use

⚠ Caution

- ① Cut the multi-tube holder depending on number of tubes to be connected.
 <Cutting method>



- ② Install the multi-tube holder to equipment by use of the phillips head recessed, countersunk tapping screw.
 ③ Lay the tube across the gripper and push on the tube.
 ④ For removing the tubes, pull up the tubes from the gripper.

Series TMA

Can be used to secure the KE□series exhaust valve with One-touch fitting

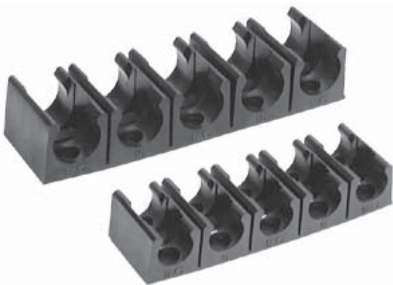
One-touch fitting can also be secured.

Union tee: KQT

Elbow: KQL

Straight: KQH

Depending on the number of holders required, they can be separated as desired (align the cutter with the cutting groove and cut the holder)



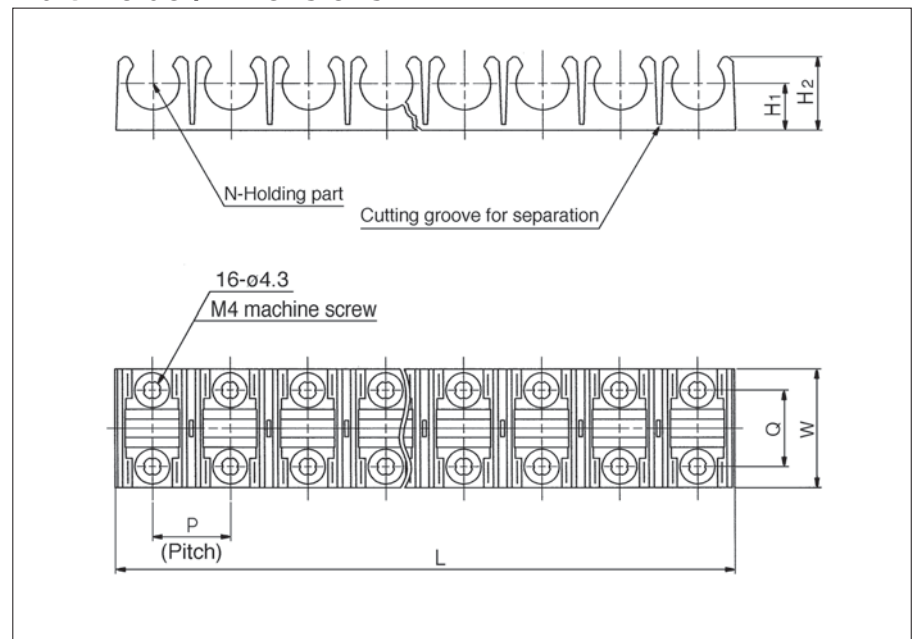
Specifications

Ambient temperature (°C)	-20 to 60°C
Material	Flame resistance polypropylene (UL-94 standard V-0)
Colour	Black

Model

Model	Number of tubes	Applicable exhaust valve	Applicable one touch fitting		
			Union tee	Union elbow	Straight union
TMA-04	10	—	KQT06-00A	KQL06-00A	KQH06-00A
TMA-06	8	KEA06	KQT08-00A	KQL08-00A	KQH08-00A
		KEB06			
TMA-08	8	KEA08	KQT10-00A	KQL10-00A	KQH10-00A
		KEB08			
		KEC-02			
TMA-10	6	KEA10	KQT12-00A	KQL12-00A	KQH12-00A
		KEB10			
TMA-12	6	KEA12	—	—	—
		KEB12			
		KEC-03			

Multi-holder/Dimensions

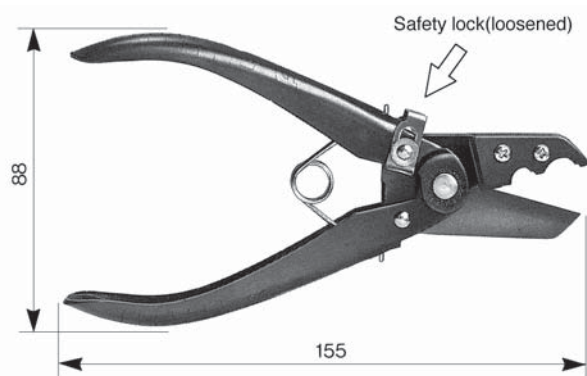


Tube O.D. (mm)	Model	P	L	W	H1	H2	Q
4	TMA-04	16.1	160	26	10.2	15.5	17.5
6	TMA-06	19	151	28	11.4	17.9	18.6
8	TMA-08	21.7	172.5	31.8	12.6	20.3	18.6
10	TMA-10	25.4	151.2	35	15	24.3	22
12	TMA-12	28.1	167.3	37	16.2	26.7	22

Tube Cutter

Series TK

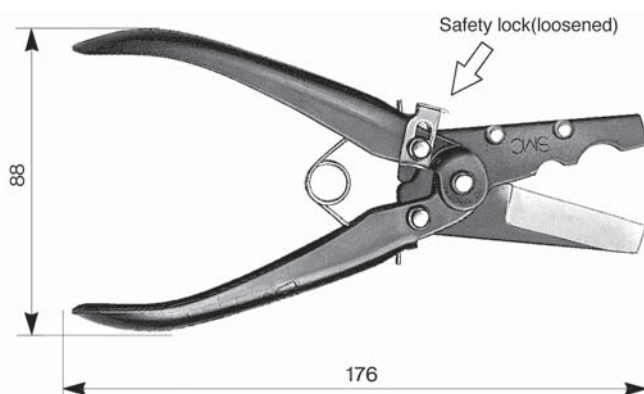
Tube Cutter: TK-1
Perpendicular cutting
Reduced operating force
Enclosure/safety lock contained



Note) Never cut metals such as electric wires.

Part No.	TK-1
Tube material	Nylon, soft nylon, polyurethane, and other soft plastic tube
Tube O.D.	13mm or less
Weight	140g

Tube Cutter: TK-2
Possible to cut a tube up to 18mm.



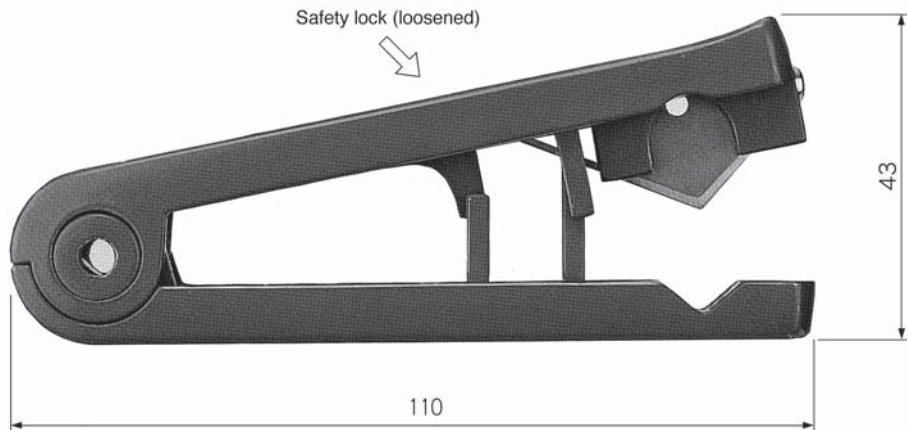
Note) Never cut metals such as electric wires.

Part No.	TK-2
Tube material	Nylon, soft nylon, polyurethane, and other soft plastic tube
Tube O.D.	18mm or less
Weight	140g

Tube Cutter

Series TK

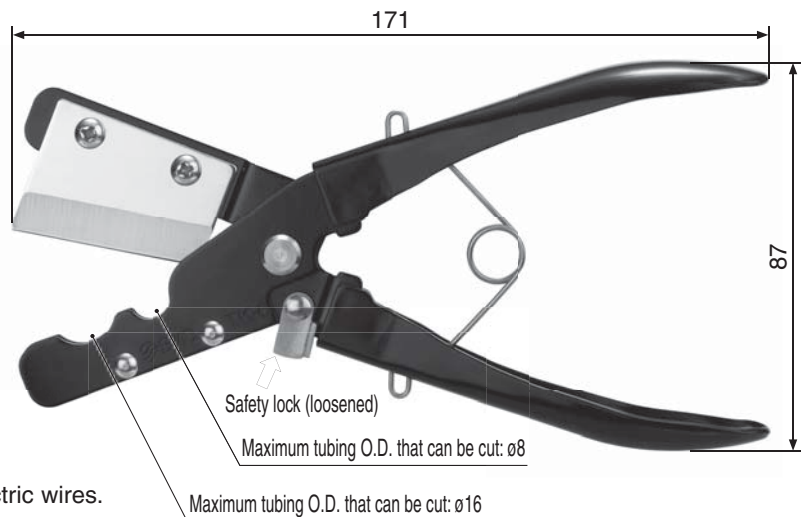
Tube Cutter: TK-3 (Useful type)
Safety lock contained.



Note) Never cut metals such as electric wires.

Part No.	TK-3
Tube material	Nylon, soft nylon, polyurethane, and other soft plastic tube
Tube O.D.	12mm or less
Weight	32g

Tube Cutter: TK-6
Perpendicular cutting
Blade is replaceable
Safety lock contained



Note) Never cut metals such as electric wires.

Model	TK-6
Applicable tubing material	Nylon, Soft nylon, Polyurethane, and other soft plastic tubing
Maximum tubing O.D. that can be cut	16 mm or less
Weight	130 g
Replacement blade part no.	TK6KAEHA (5 replacement blades + 2 mounting screws)

Double Layer Tubing Stripper

Series TKS

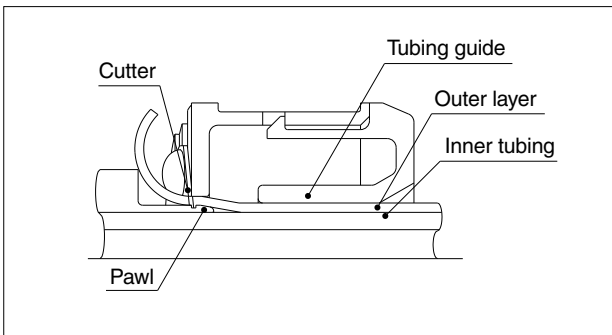
RoHS

Allows easy stripping of the outer layer from double layer tubing.



Able to strip without damaging the inner tubing

The outer tubing can be stripped without damaging the inner tubing because a pawl is inserted between the inner and outer tubing layers.



Caution

Do not use to strip covering materials from electrical wires, etc.

Adjustment of cutter and stripping length is unnecessary

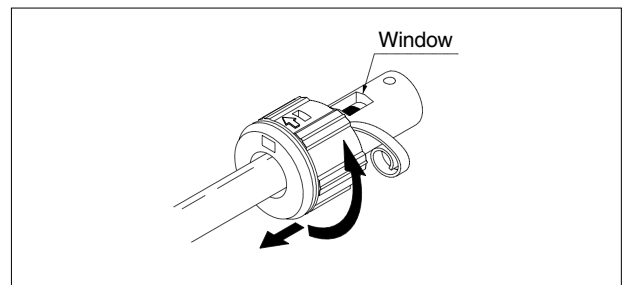
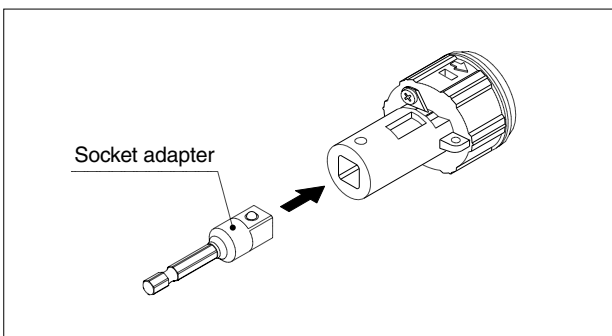
A constant stripping length is always possible due to the fixed cutter with angle that cuts until the tubing reaches the end surface inside the stripper.

Removal of stripped tubing is unnecessary

Since the stripped tubing is discharged to the outside, no additional labor is required to remove it.

Can be attached to tools

Stripping work can be automated by attaching to an air driver, etc.

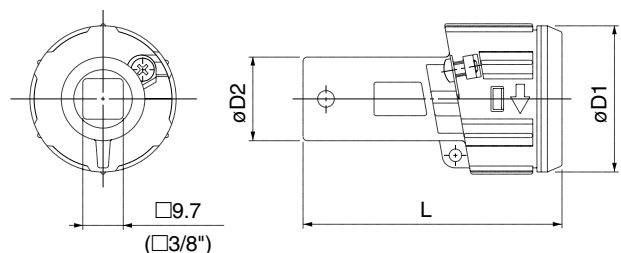


- Even double layer polyurethane tubing (series TRBU) which is highly adhesive to the external layer can be stripped easily.

Variations

Model	Tip colour	Applicable tubing *	Dimensions mm			Weight
			D1	D2	L	
TKS-06	Orange	TRB0604, TRBU0604	35	16	58	9
TKS-08	Yellow	TRB0806, TRBU0805		18		
TKS-10	Blue	TRB1075, TRBU1065		20	62	
TKS-12	Green	TRB1209, TRBU1208		22		

* Inner tubing material/TRB: Nylon, TRBU: Polyurethane





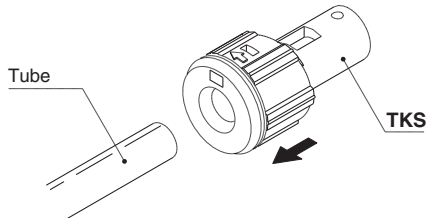
Series TKS Specific Product Precautions

Be sure to read before handling.

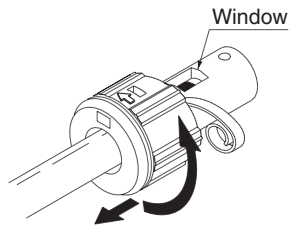
Operation

⚠ Caution

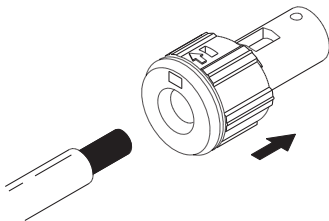
1. Insert the tube into the double layer tube stripper (Series TKS).



2. Rotate the TKS in the arrow direction while pushing it.
3. Strip the outer layer until the cut end of the tubing strikes the end surface inside the stripper.
The end surface can be confirmed in the window.
Note) Stripping is not possible by rotating in the opposite direction.



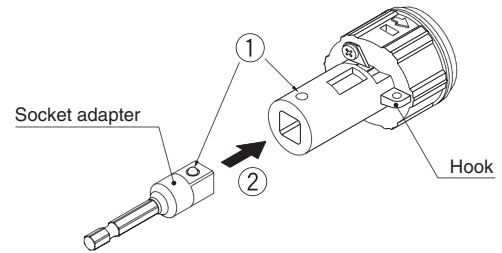
4. Pull the TKS off of the tubing to complete stripping.
The tube can be attached as it is to a FR One-touch fitting.



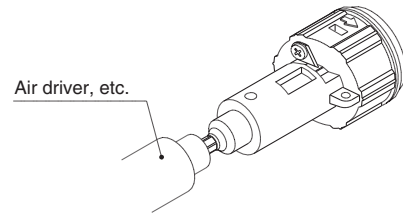
Attachment to Tools

⚠ Caution

1. Align the socket of the TKS with a commercially available male socket adapter (9.5 mm square).
2. Connect the socket adapter to the TKS.



3. Connection with tools such as an air driver is also possible.
Note) Ensure the TKS does not shake or vibrate.



Operation

⚠ Caution

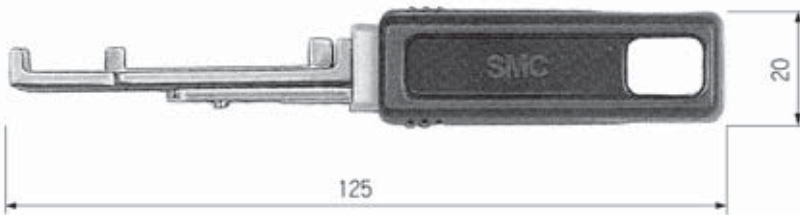
1. When using a tool such as air driver, use a push-start type which rotates after the tubing is inserted.
2. Do not insert the tube when the TKS is rotating, as the pawl may be damaged.

Accessories/Tools

Tube Releasing Tool

Series TG

- For loading and unloading of tubes for One-touch fittings mounted in a narrow space or on manifolds.
- Easy one-hand operation
- Available for two sizes of applicable tubes. Easy exchange with one hand.



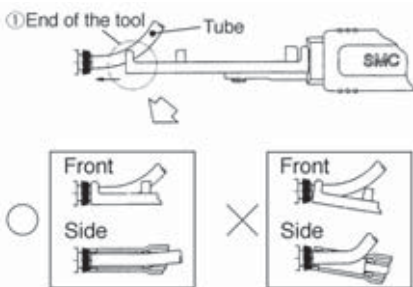
Part No.	Tube size		Tube material	Color	Weight
TG-1	Metric size	ø4, ø6	Nylon, Soft nylon, Polyurethane	Blue	33g
TG-2	Inch size	ø 1/8", ø 1/4"		Red	

How to Use

⚠ Caution

Process

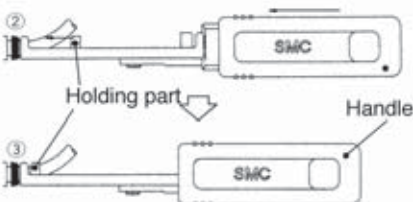
- Put the end of tool into the release button parallel to the tube.



- After inserting, grasp the handle tightly and insert the end of the tubing to the stroke end.

Note) Insert firmly to guard against accidental tube release.

- After inserting end of tube, relax your grip on the tool. Returning force of spring releases the tube.



Size change

Push both sides at once to release. Reverse and fix at the same position as before. Applicable tube size is indicated on the back side.

